



# Quick Installation Guide

## 2/4/8 Port SKVM Remote Control with Integrated Keyboard

### Objectives

- This guide includes basic instructions for installing the Belkin device listed above.
- This remote control can be used to select channels and modes of certain secure KVMs to switch video, mouse, audio, and USB peripherals between multiple secure computers. In addition the remote control provides console keyboard functions to the system.
- This Manual and additional product documentation is available for online download on Belkin website. For further assistance please refer to: <http://www.belkin.com/us/Resource-Center/Cybersecurity/Secure-KVM-Switching/>.

### General

- Verify that all peripherals and computers are turned OFF prior to connecting them to the product.
- Connect the Remote control with integrated keyboard to be shared by the KVM to the Console Port marked Keyboard.
- Certain models of Belkin SKVMs back panel is divided into sections of Console Ports and Computer Ports.
- Connect other peripherals to other console ports per the SKVM quick installation guide

### 1 Connect the USB keyboard to the KVM Console Port marked keyboard:

- The remote control when connected to the proper model SKVM will operate as the front panel of the SKVM.
- If the remote control is connected to an incorrect SKVM or PC it will function as a standard keyboard, and will not function to operate the SKVM front panel.

### 2 Confirm all other peripherals and PCs are connected to the SKVM per the SKVM Quick Installation Guide (QIG)

### 3 Using the Remote Control

- Access to ports 1-4 are when the SKVM Fn key is not active.
- Access to ports 5-8 is accomplished when the SKVM Fn key is active.
- When connected to a 2 port SKVM model, the keys marked 1-2 are used to select SKVM channels and the rest are not active.
- When connected to a 4 port SKVM model, the keys marked 1-4 are used to select SKVM channels and the fifth key is not active.
- On some models of SKVM, the Remote Control also functions to operate the DPP and AUD active/frozen functions.

### CAC freeze and unfreeze

#### To Freeze

- Select the channel to be frozen
- Press the SKVM Fn key 3 times in succession
- The CAC freeze light will illuminate

#### To Unfreeze

- Select any channel
- Press the SKVM Fn key 3 times
- The CAC freeze light will extinguish and CAC freeze is removed from all channels

### Audio Freeze and Unfreeze

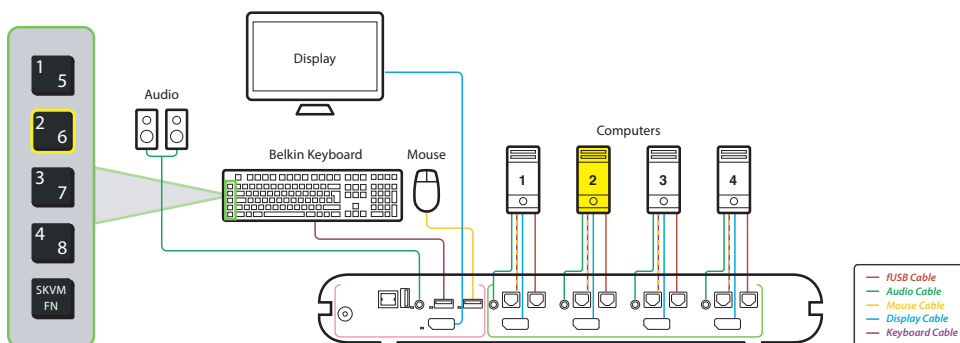
#### To Freeze

- Select the channel to be frozen
- Hold down the SKVM Fn key for 3 seconds
- The Audio freeze light will illuminate

#### To Unfreeze

- Select any channel
- Hold down the SKVM Fn key for 3 seconds
- The Audio freeze light will extinguish and Audio freeze is removed from all channels

- By default all lighting on the USB keyboard is white. If the SKVM has been configured for colors, the device will mimic the colors configured in the SKVM. Contact your administrator for details, and usage of the color labels provided with the remote control.
- Holding down the SKVM Fn key and arrow up and down will raise and lower the lighting intensity.
- When the Remote Control is connected and operational, the SKVM front panel is disabled.



### Environmental

- Operating temperature is 32° to 104° F
- (0° to 40° C).
- Storage temperature is -4° to 140° F
- (-20° to 60° C).
- Humidity requirements are 0-80% relative humidity, non-condensing.

### Power

Via USB Connection

### Dimensions

18.5(W)x7.5(H)x2(L) inches  
470(W)x190(H)x50 (L) mm

This product is designed to operate with NIAP Protection Profile PSD version 4.0, Belkin devices. In addition we, Belkin International Inc, of 12045 E. Waterfront Drive, Playa Vista, CA 90094, declare under our sole responsibility that the products described in this manual comply to the declarations found at: <http://www.belkin.com/us/support-article?articleNum=289064>