

Universal DisplayPort Secure KVM Series

Secure. Certified. Connected.



Universal DisplayPort Secure KVM Series is available in three configurations: with CAC, without CAC and with CAC and USB-C. All are fully compatible with DisplayPort connections supporting resolutions of UHD 4K@60Hz. To further enhance security, the Belkin SKVM limits input/output ports to prevent unauthorized use.

Optical data diodes on all USB connections ensure unidirectional data flow of HID filtered information. Dedicated Common Access Card input ports consolidate the number of CAC readers and allow a single reader to be shared across all connected systems for user authentication. CAC models are equipped with CAC freeze to allow a user to lock CAC on a given channel while using another channel for keyboard, mouse and video.

Models without CAC are designed for secure environments that require flexibility. Although it's likely that a CAC port will be required, some government bids may require this non-CAC variant.

The third configuration includes a USB-C host port. The USB-C connection option is ideal for laptop users who can connect one cable from their laptop or desktop to the KVM instead of using a dock.

Customizable port coloring and naming on the front panel of the Universal DisplayPort SKVM Series facilitates channel identification. This further enhances situational awareness and reduces operator

errors. To enable rapid deployment and administrator efficiencies, Belkin's SKVM series includes preprogrammed colors.

The same capability is replicated on the Remote Control with Integrated Keyboard for the ultimate in user experience. Using configurable channel designator lighting, the front panel and remote control provide visual indication as to the security enclave the operator is working on, eliminating potential user errors. Unique mechanical design accommodates desktop mounting to further declutter the desk and enhance ergonomics and efficiency.

Our SKVMs are designed for the latest Common Criteria and NIAP cybersecurity standard: NIAP Protection Profile for Peripheral Sharing Devices 4.0. As a comprehensive SKVM, the Belkin SKVM is further compliant to the Keyboard/Mouse Devices module version 1.0, Video/Display Devices module version 1.0, and User Authentication Devices module version 1.0. NIAP PP PSD 4.0 adds to the strict signal isolation requirements of NIAP PP PSS 3.0 and defines the latest standard for military-grade cybersecurity.



All Belkin SKVMs are designed and assembled in the United States. Each unit is assembled with an always-on, battery-backed, active anti-tamper mechanism that will immediately render the unit permanently inoperable in the event of a breach. Shipped in unique tear-away packaging, the units are designed to be tamper-proof from the factory to delivery at the end site. U.S.-based technical support, free advanced replacements and a standard 3-year warranty with options for up to 5 years of coverage provide unsurpassed customer support.

The Belkin SKVMs offer an uncompromising solution against today's cyber threats for mission-critical applications in government, military, finance, healthcare, energy and any sector requiring guaranteed isolation between systems at the operator's desk.

Key features and benefits

- Designed for use on government and military networks configured to meet NIAP Protection Profile PSD 4.0, TAA and Common Criteria.
- Situational awareness: Convenient preconfigured port coloring to ensure front panel facilitates channel identification, reducing operator errors.
- Choose from three configurations:
 1. **SKVM with CAC:** Dedicated CAC input ports consolidate the number of CAC readers so a single reader can be shared across all connected systems.
 2. **SKVM without CAC:** Variant designed for secure environments requiring non-CAC connection.
 3. **Future-proof with USB-C host port:** Seamlessly connect USB-C devices directly to the SKVM, bypassing docks and other software-managed peripherals.
- Innovations for optimal user experience: Compatible with Belkin desktop keyboards, remotes, select mounts, docks, extenders and receivers, delivering the ultimate solution for decluttering the desk while enhancing the operator's awareness of the security domain they're working in.
- True data path isolation: Optical data diodes assure data can only flow from device to host.
- Tamper-proof system: Always-on, battery-backed, active anti-tamper circuit protects the unit from a breach while in transit and after deployment.
- TAA-compliant: Assembled in the USA; U.S.-based technical support; secure packaging ensures integrity from factory to user site.
- Peace of mind: Enjoy an industry-leading 5-year standard warranty, reflecting our commitment to quality and durability.

Choose the model that suits you best.

Designed for NIAP Protection Profile PSD 4.0 compliance.

CAC Models



F1DN102KVM-DC-4
**Universal DisplayPort Secure KVM Switch,
2-Port Single Head w/ CAC**



F1DN202KVM-DC-4
**Universal DisplayPort Secure KVM Switch,
2-Port Dual Head w/ CAC**



F1DN104KVM-DC-4
**Universal DisplayPort Secure KVM Switch,
4-Port Single Head w/ CAC**



F1DN204KVM-DC-4
**Universal DisplayPort Secure KVM Switch,
4-Port Dual Head w/ CAC**



F1DN108KVM-DC-4
**Universal DisplayPort Secure KVM Switch,
8-Port Single Head w/ CAC**



F1DN208KVM-DC-4
**Universal DisplayPort Secure KVM Switch,
8-Port Dual Head w/ CAC**

Non-CAC Models



F1DN102KVM-D-4

**Universal DisplayPort Secure KVM Switch,
2-Port Single Head without CAC**

*Reference base SKU F1DN102KVM-DC-4 for NIAP compliance



F1DN202KVM-D-4

**Universal DisplayPort Secure KVM Switch,
2-Port Dual Head without CAC**

*Reference base SKU F1DN202KVM-DC-4 for NIAP compliance



F1DN104KVM-D-4

**Universal DisplayPort Secure KVM Switch,
4-Port Single Head without CAC**

*Reference base SKU F1DN104KVM-DC-4 for NIAP compliance



F1DN204KVM-D-4

**Universal DisplayPort Secure KVM Switch,
4-Port Dual Head without CAC**

*Reference base SKU F1DN204KVM-DC-4 for NIAP compliance

CAC and USB-C Models



F1DN104KVMDCU-4

**Universal DisplayPort Secure KVM Switch,
4-Port Single Head, w/ CAC and USB-C**

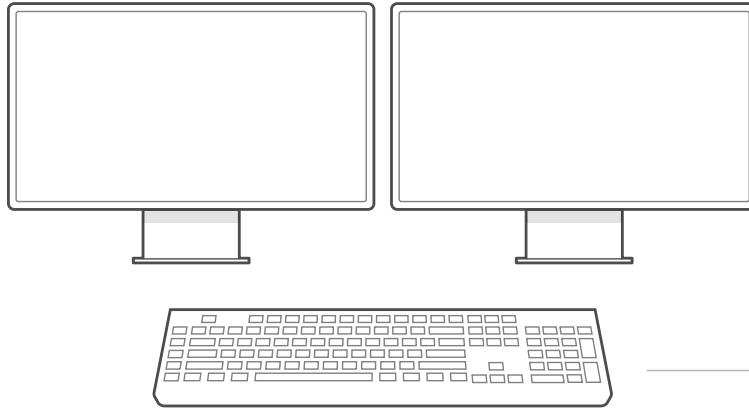


F1DN204KVMDCU-4

**Universal DisplayPort Secure KVM Switch,
4-Port Dual Head, w/ CAC and USB-C**

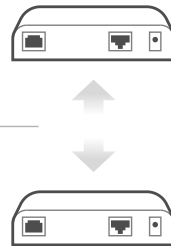
Use Case

Desktop



Remote Control
with Integrated Keyboard

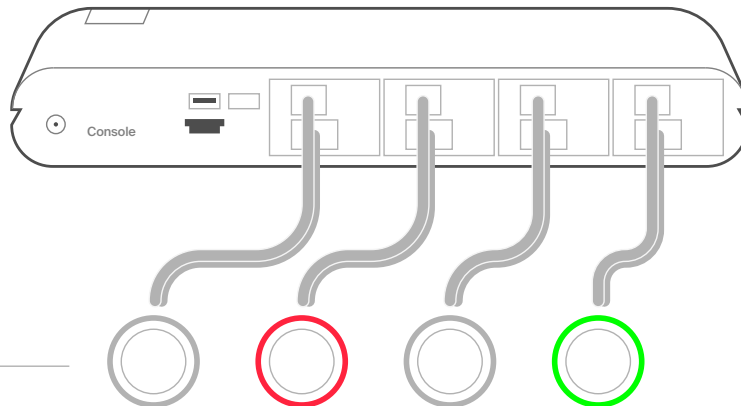
Up to 328 ft. (100m) CAT6*
Up to 984 ft. (300m) MM SFP**
Up to 6.21 mi. (10km) SM SFP**



Extender Receiver

Extender Transmitter

Network Source



Secure KVM

*Depends on the type and quality of CATx cable.

**Depends on the Gigabit Interface Converter (GBIC) type.

Universal DisplayPort SKVMs

| Universal DisplayPort SKVM | | | | | | |
|---|---|----------------|--|----------------|--|----------------|
| Part Number | FIDN102KVM-DC-4 (W/CAC) | FIDN102KVM-D-4 | FIDN202KVM-DC-4 (W/CAC) | FIDN202KVM-D-4 | FIDN104KVM-DC-4 (W/CAC) | FIDN104KVM-D-4 |
| No. of Computers | 2 | 2 | 2 | 2 | 4 | 4 |
| No. of Displays | 1 | 1 | 2 | 2 | 1 | 1 |
| CAC Freeze | Yes | No | Yes | No | Yes | No |
| Front Panel Illumination / Multi Color | Yes - Port 1: Green; Port 2: Red | | | | Yes - Port 1: Green; Port 2: White; Port 3: Red; Port 4: White | |
| Belkin Remote Control with Integrated Keyboard Compatible | Yes | | | | | |
| Console Ports (Devices) | | | | | | |
| Console Mouse and Keyboard Ports | USB Type-A female connector (1 designated port for mouse and 1 designated port for keyboard) with status indicator lights | | | | | |
| Console Audio | Digital audio supported via DisplayPort connection on compatible monitor(s). Refer to monitor manufacturer's manual to confirm compatibility. | | | | | |
| Console Remote Control Port | RJ14 female | | | | | |
| Console CAC/DPP Port | USB Type-A female connector | | | | | |
| Console Video Port | DisplayPort connector | | | | | |
| Max Resolution Supported | 3840 x 2160 pixels (UHD 4K)@ 60Hz | | | | | |
| Computer Ports | | | | | | |
| Computer Audio | Digital audio supported via DisplayPort connection on compatible monitor(s). Refer to computer manufacturer's manual to confirm compatibility. | | | | | |
| Computer Keyboard/ Mouse Port | USB Type-B | | | | | |
| Computer Video Port | DisplayPort connector; USB-C for USB-C models | | | | | |
| Physical | | | | | | |
| Dimensions | 12.6 (W) x 6.17 (D) x 2.64 (H) in. / 320.0 (W) x 156.8 (D) x 67.1 (H) mm | | 12.6 (W) x 6.17 (D) x 2.64 (H) in. / 320.0 (W) x 156.8 (D) x 67.1 (H) mm | | 12.6 (W) x 6.17 (D) x 2.64 (H) in. / 320.0 (W) x 156.8 (D) x 67.1 (H) mm | |
| Weight | 4.93 lbs. (2.24kg.) | | 5.37 lbs. (2.44kg.) | | 5.16 lbs. (2.34kg.) | |
| Power | | | | | | |
| Power Requirements | 12VDC, 2.5A | | | | | |
| AC Input | 100-240VAC | | | | | |
| Power Type | External with WW mains connectors | | | | | |
| Environmental | | | | | | |
| Operating Temperature | 32° to 104° F (0° to 40° C) for video and USB | | | | | |
| Storage Temperature | -4° to 140° F (-20° to 60° C) | | | | | |
| Humidity Storage and Use | 0-80% RH, non-condensing | | | | | |
| Certification | | | | | | |
| Security Accreditation | NIAP Protection Profile PSD Ver. 4.0, Audio Input v 1.0., Keyboard/Mouse 1.0., Video/Display v 1.0, User Authentication (by model); TEMPEST variants available via an SDIP-55, NATO accredited TEMPEST test facility. | | | | | |
| Regulatory Compliance | FCC Class A, CE, UL, ICES, RCM, RoHS, UKCA | | | | | |
| General Information | | | | | | |
| Made in | Designed in California. Assembled in USA with USA-based technical support (TAA compliant). | | | | | |
| Product Life Cycle | 5 years | | | | | |
| Warranty | 5 years | | | | | |
| Enclosure | Formed steel | | | | | |

Universal DisplayPort SKVMs

| Universal DisplayPort SKVM | | | | | | |
|---|--|-------------------------|----------------|-------------------------|--|---|
| Part Number | FIDN104KVMDCU-4 (W/CAC) | FIDN204KVM-DC-4 (W/CAC) | FIDN204KVM-D-4 | FIDN204KVMDCU-4 (W/CAC) | FIDN108KVM-DC-4 (W/CAC) | FIDN208KVM-DC-4 (W/CAC) |
| No. of Computers | 4 | 4 | 4 | 4 | 8 | 8 |
| No. of Displays | 1 | 2 | 2 | 2 | 1 | 2 |
| CAC Freeze | Yes | Yes | No | Yes | Yes | Yes |
| Front Panel Illumination / Multi Color | | | | | Yes - Port 1: Green; Port 2: White; Port 3: Red; Ports 4-8: White | |
| Belkin Remote Control with Integrated Keyboard Compatible | | | | | | |
| Console Ports (Devices) | | | | | | |
| Console Mouse and Keyboard Ports | | | | | | |
| Console Audio | | | | | | |
| Console Remote Control Port | | | | | | |
| Console CAC/DPP Port | | | | | | |
| Console Video Port | | | | | | |
| Max Resolution Supported | | | | | | |
| Computer Ports | | | | | | |
| Computer Audio | | | | | | |
| Computer Keyboard/ Mouse Port | | | | | | |
| Computer Video Port | | | | | | |
| Physical | | | | | | |
| Dimensions | 12.6 (W) x 6.17 (D) x 2.64 (H) in. / 320.0 (W) x 156.8 (D) x 67.1 (H) mm | | | | 17.2 (W) x 1.79 (H) x 8.12 (D) in. / 436.8 (W) x 45.5 (H) x 206.2 (D) mm | 17.2 (W) x 3.5 (H) x 8.12 (D) in. / 436.8 (W) x 88.9 (H) x 206.2 (D) mm |
| Weight | 5.42 lbs. (2.46kg.) | | | | 9.5 lbs. (4.22kg.) | 11.7 lbs. (5.31kg.) |
| Power | | | | | | |
| Power Requirements | 12V, 4.0A DC | | | | | |
| AC Input | | | | | | |
| Power Type | Internal with WW mains connectors on power cord | | | | | |
| Environmental | | | | | | |
| Operating Temperature | | | | | | |
| Storage Temperature | | | | | | |
| Humidity Storage and Use | | | | | | |
| Certification | | | | | | |
| Security Accreditation | | | | | | |
| Regulatory Compliance | | | | | | |
| General Information | | | | | | |
| Made in | | | | | | |
| Product Life Cycle | | | | | | |
| Warranty | | | | | | |
| Enclosure | | | | | | |

Accessories

| Universal DisplayPort SKVM Accessories | | | | |
|---|---|---|---|--|
| FIDN008KBD | FIDN-MOD-REM2 | FIDN-MOD-REM4 | FIDN-MOD-REM8 | FIDN-MOD-REXT-4 |
| SKVM Remote Control w/Integrated Keyboard | SKVM/SKM Remote Control, 2-Port | SKVM/SKM Remote Control, 4-Port | SKVM/SKM Remote Control, 8-Port | Remote Control Extension Cable, 4 ft. (1.2m) |
| FIDN-KVM-REM2 | FIDN-KVM-REM4 | FIDN-KVM-REM8 | FIDN005U | FIDN008U |
| Universal SKVM/SKM Remote Control, 2-Port | Universal SKVM/SKM Remote Control, 4-Port | Universal SKVM/SKM Remote Control, 8-Port | CAC Reader | CAC Reader |
| FIDN-KVM-EXTC6 | FIDN-KVM-EXRC6 | FIDN-KVM-EXTC6X | FIDN-KVM-EXRC6X | FIDN-KVM-EXTFI |
| KVM Host Side CAT6 Extender - Universal Video | KVM Console Side CAT6 Extender - Universal Video | KVM Host Side CAT6 Extender - Universal Video | KVM Console Side CAT6 Extender - Universal Video | KVM Host Side Fiber Extender - Universal Video |
| FIDN-KVM-EXRFI | FIDN-USB-XTRC | FIDN-WSMOUNT | 8100-00297 | 8100-00279 |
| KVM Console Side Fiber Extender - Universal Video | Extender Copper CAT6 USB Transmitter and Receiver | Work Surface Mount for SKVM/SKM | Rackmount Ears for Single/Dual Head 8-Port & Single Head 16-Port SKVM | Rackmount Ears for Single Head 8-Port SKVM |

| Universal DisplayPort SKVM Replacement Parts |
|---|
| 0401-00853 |
| Power Adapter Kit, 12V/2.5A with WW Mains Connector for Universal Series 2- & 4-Port SKVM |
| 6000-01356 |
| Power Cord Kit, WW Mains Connector for Universal Series 8- & 16-Port SKVM |



Industry-leading 5 year standard warranty
on Universal DisplayPort Secure KVM Series

Learn more about Belkin cybersecurity solutions.



Download electronic copy.

